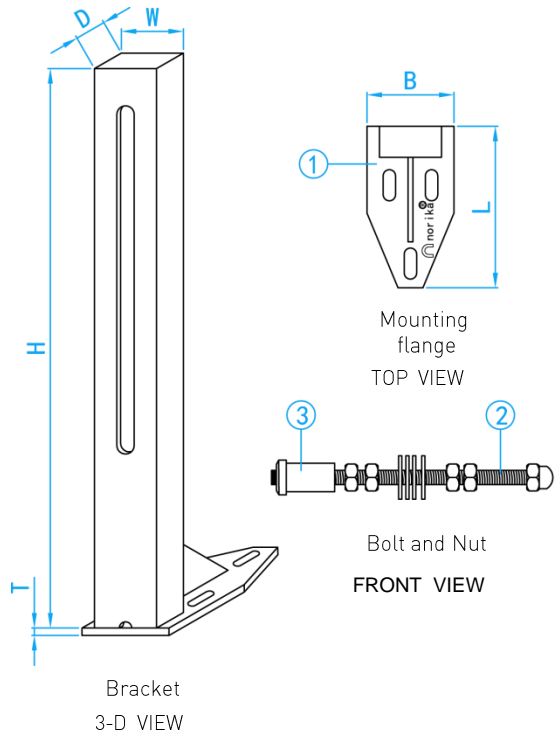


# GALVANIZED IRON WALL HANG WC BRACKET



## APPLICATION

Used for hanging "wall hang " type WC bowl

## COMPONENT PARTS

ITEM	PARTS	MATERIAL
1	Bracket	Color Plating Galvanized Iron
2	Bolt, washer and Nut	Galvanized Iron
3	Bush	PTFE

## DIMENSIONS

SKU	T (mm)	H (mm)	D (mm)	W (mm)	B (mm)	L (mm)	WEIGHT (kg)	PCS/CTN
GIWHWCB	6	500	25	50	70	130	4.05	1